

HVAC THERMOSTAT

SASWELL product catalogue

SASWELL GROUP(HK),LTD

Factory: 3/F Building A , East 8th Region , Shangxue Industry & Science Park ,
Bujia town , Shenzhen City,Guangdong,China .

 8675561218391/2/3/4/5

 86-755-61218396  manager@saswell.com

SASWELL GROUP(HK),LTD



01

EXTENSIVE EXPERIENCE

By decades HVAC experience, we understand client request, and how to transfer the concept to real qualified products.

02

EXQUISITE WORKMANSHIP

Plastic injection, PCB soldering, products assemble, packaging, we pay attention to every detail process.

03

STRICT QC CONTROL

Every SASWELL products pass 100% check and test. We guarantee that every batch order will maintain quality consistency.

04

THIRD PARTY FACTORY AUDIT

Until Now, SASWELL pass the factory audit for VDE SEMKO CSTB eu.bac, CETL and etc. Excellent QC flow process convinced more and more clients worldwide.

ABOUT US

SASWELL Control Co., Ltd. is the major manufacturer in China for HVAC thermostats and valves. Founded in 1999, aimed at developing, producing better performance and better quality HVAC products in China. From the year of 2000, we start the export business. Till now we have exported thermostats and valve to UK, USA, UAE, South Asia, Iran, Carrier HK and Thailand and Europe. SASWELL has won the trust from domestic and international clients for our product quality and services.

Today, SASWELL brand products are being exported throughout the world. With a strong R&D and engineering team, SASWELL can customize the product designs at our clients' requirements in a very short time. It is our target to provide satisfactory HVAC solution and better products to our customers around the world. SASWELL is a brand name trusted by contractors for our product quality and reliability.

In our trade with merchants of various countries, we always adhere to the principle of equality and mutual benefit. It is our hope to promote, by joint efforts, both trade and friendship to our mutual advantage.



SASWELL
FAN COIL
THERMOSTAT

SAS 803FCT

MENU SETTING

FAN COIL THERMOSTAT

- 2-pipe or 4-pipe heating/cooling available
- Heating mode / Cooling mode / Auto mode
- Remote controller available
- Room card function / Window card function / External sensor available / Timer function
- Sleeping mode save energy
- Auto fan with adjustable 3-fan speed.
- Keep user setting during power loss
- Anti-freezing protection



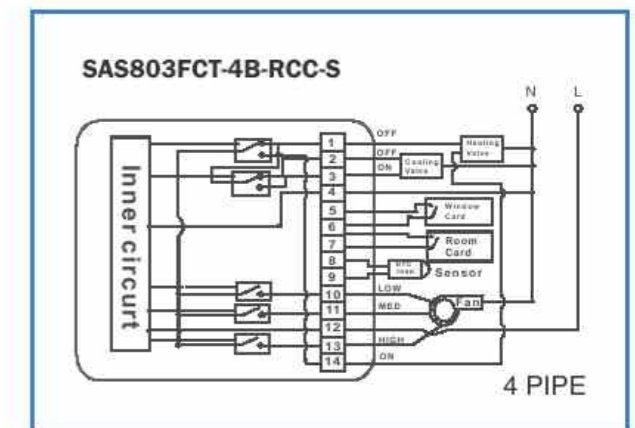
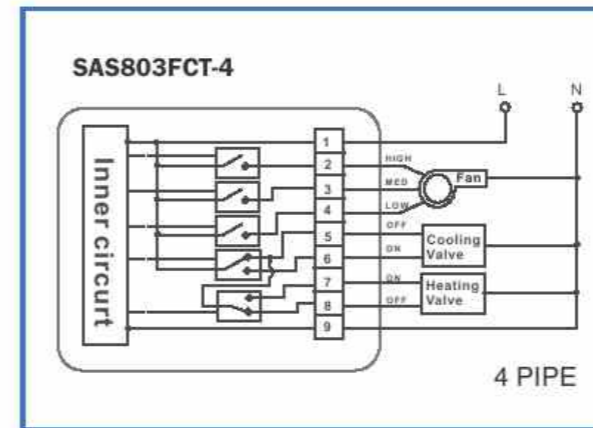
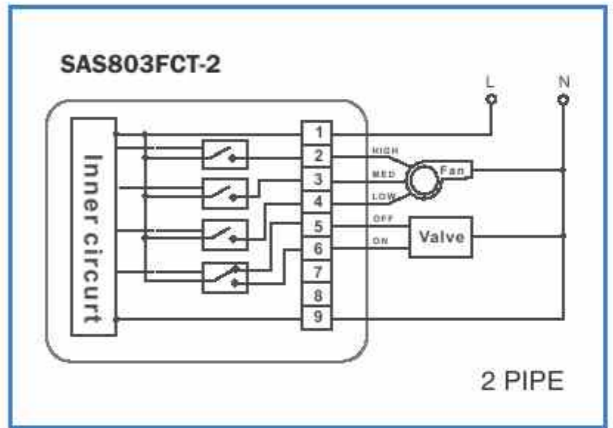
TECHNICAL DATA

Voltage: AC100-240V 50/60Hz
Power load: 3A/ 5A / 8A
Setting range: 5°C~35°C
Accuracy: ±1°C
Ambient temperature: -5~50°C
Protective housing: IP21
Housing material: PC

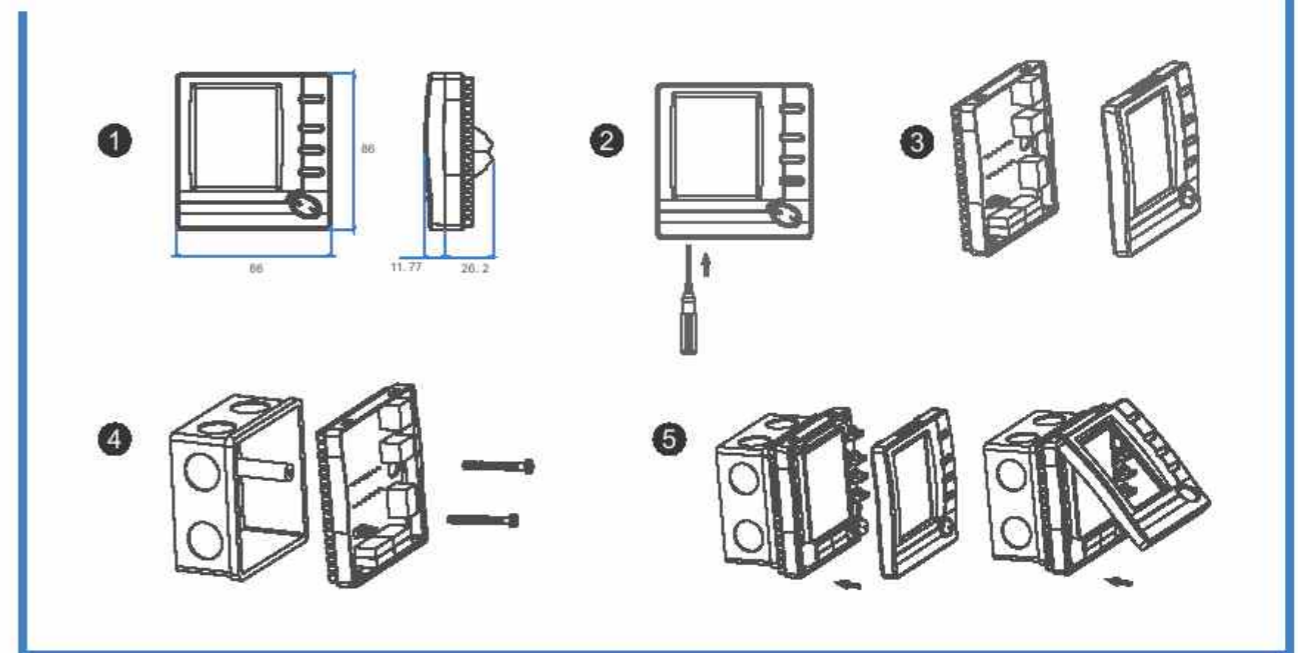
MODEL SELECTION

Model No	Features and Functions Available				FAN Relay Max.	Application	Installation
	Compressor timer	External sensor	Remote controller	Room card			
SAS803FCT-2					3A	2-pipe Heat/Cool	Flush mount
SAS803FCT-4			■		3A	4-pipe Heat/Cool	Flush mount
SAS803FCT-4B			■	■	3A	4-pipe Heat/Cool	Wall mount
SAS803FCT-4BY-RCC-S		■	■	■	3A	4-pipe Heat/Cool	Wall mount
SAS803HLP-0	■		■		8A	DX Heat/Cool	Flush mount
SAS803SLP-CO	■				8A	DX Cooling only	Flush mount

WIRING DIAGRAM



INSTALLATION



SAS 803XFCT

MENU SETTING

FAN COIL THERMOSTAT

- 2-pipe or 4-pipe heating/cooling available
- Remote controller available
- Passive output available ,compressor linkage
- Display shows both set points and room temperature simultaneously
- Auto fan with adjustable 3-fan speed.
- Sleeping mode save energy
- Keep user setting during power loss
- Anti-freezing protection



TECHNICAL DATA

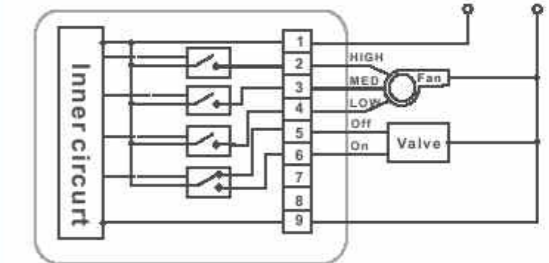
Voltage: AC100-240V 50/60Hz
Power load: 3A
Setting range: 5°C~35°C
Accuracy: ±1°C
Ambient temperature: -5~50°C
Protective housing: IP21
Housing material: PC
Dimensions: 86mm×86mm×15mm
 Flush mount

MODEL SELECTION

Model No	Features and Functions Available				FAN Relay Max.	Application	Installation
	Compressor limiter	External Sensor	Remote controller	Room Card			
SAS803XFCT-2			■		3A	2-pipe Heat/Cool	Flush mount
SAS803XFCT-4			■		3A	4-pipe Heat/Cool	Flush mount
SAS803XFCT-4W	■				3A	4-pipe Heat/Cool	Flush mount
SAS803XSLP	■				5A	DX Cooling Only	Flush mount

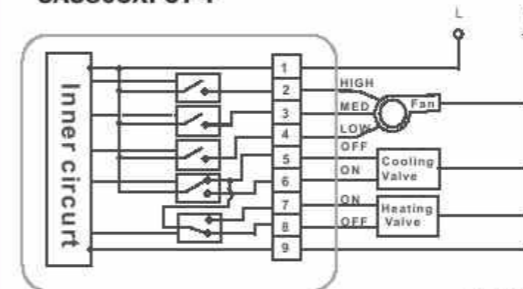
WIRING DIAGRAM

SAS803XFCT-2



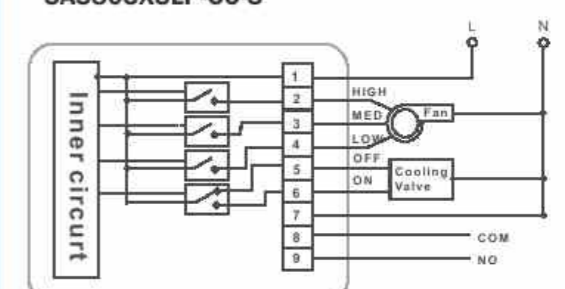
2 PIPE

SAS803XFCT-4



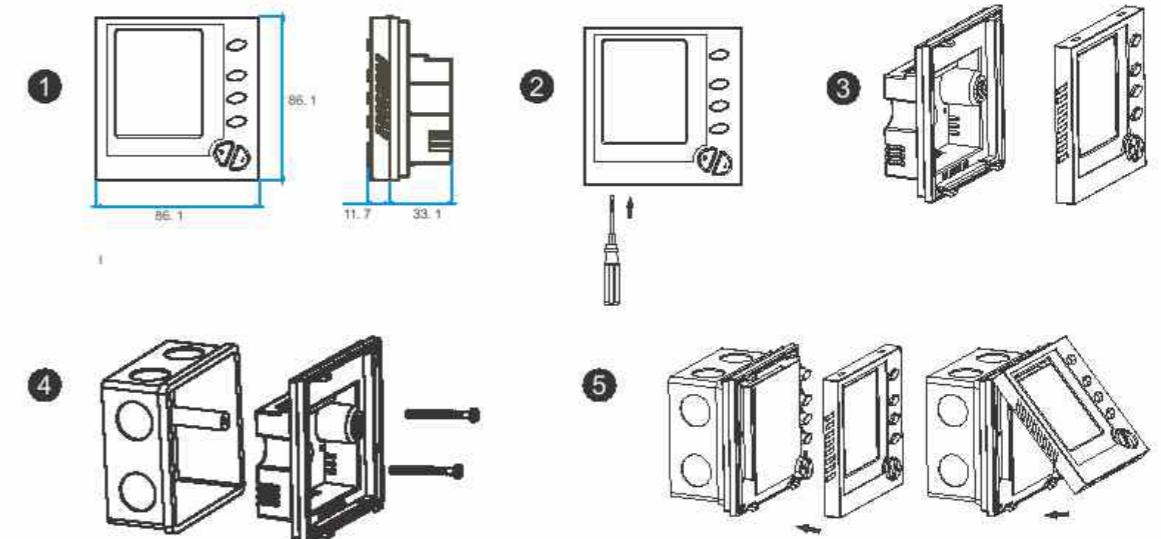
4 PIPE

SAS803XSLP-CO-S



DX UNIT

INSTALLATION



SAS 810FCT

PROGRAMMABLE
FAN COIL THERMOSTAT

- Menu programming
- 2-pipe or 4-pipe heating/cooling available
- Heating mode / Cooling mode / Auto mode
- Remote controller available
- External sensor available / Timer function
- Auto fan with adjustable 3-fan speed.
- Power off memory function
- Anti-freezing protection



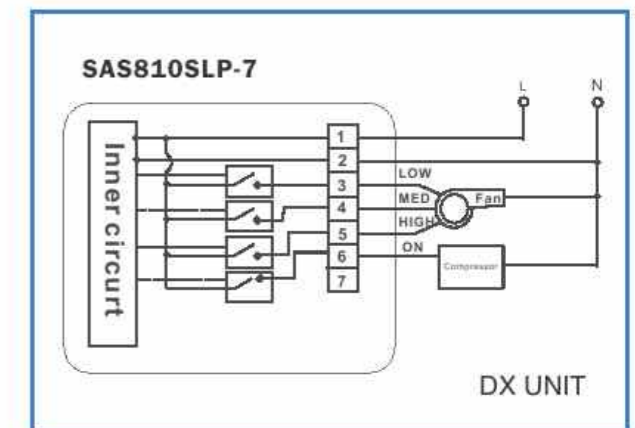
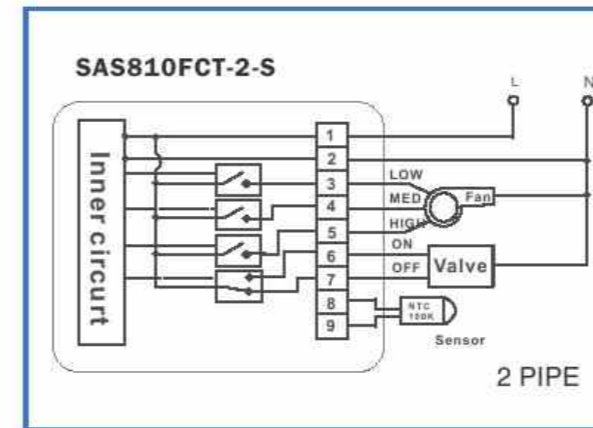
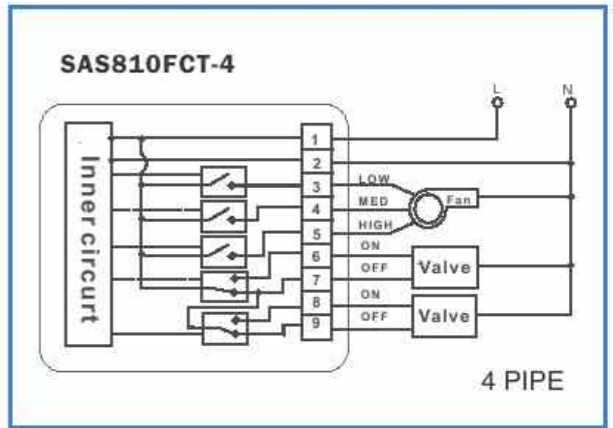
TECHNICAL DATA

Voltage: AC100-240V 50/60Hz
Power load: 3A / 5A / 8A
Setting range: 5°C~35°C
Accuracy: ±0.5°C
Ambient temperature: -5~50°C
Protective housing: IP21
Housing material: PC
Dimensions: 86mm×86mm×15mm
 Flush mount

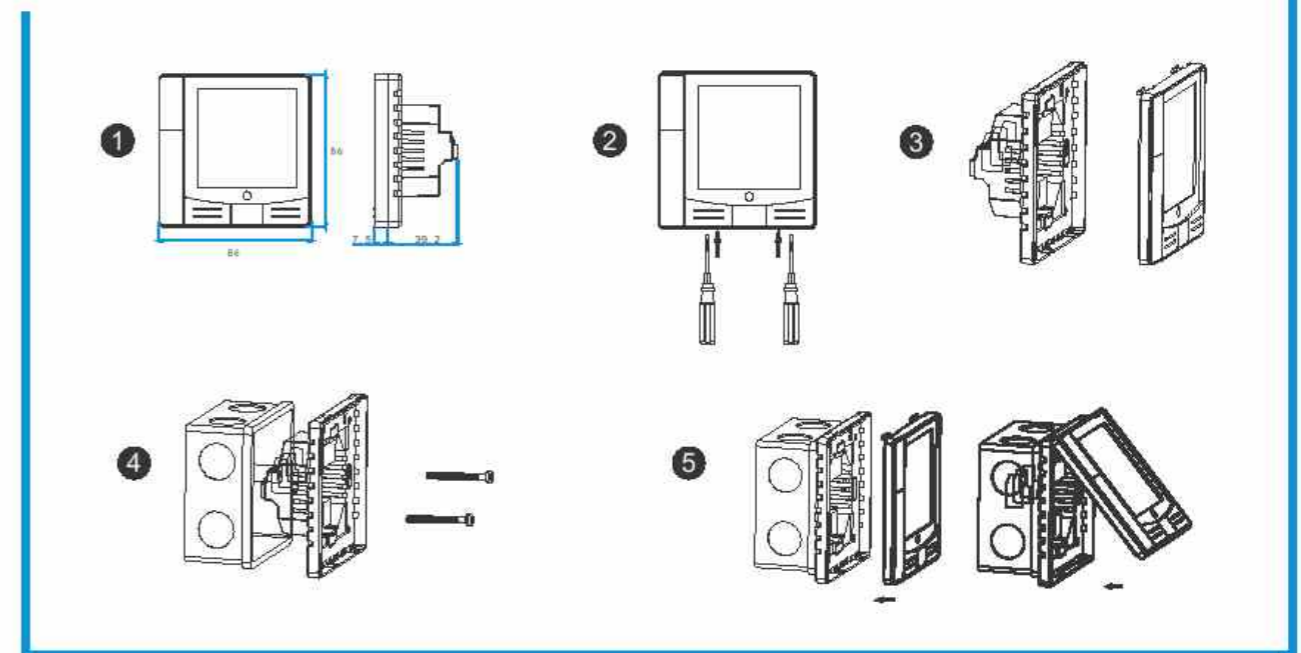
MODEL SELECTION

Model No	Features and Functions Available					FAN Relay Max.	Application	Installation
	Compressor Inter	External Sensor	Remote controller	Passive output	Program			
SAS810FCT-2-S			■			3A	2-pipe Heat/Cool	Flush mount
SAS810FCT-4			■			5A	4-pipe Heat/Cool	Flush mount
SAS810FCT-CO-CLS	■	■				5A	Cooling only	Flush mount
SAS810SLP-7	■				■	8A	DX Heat/Cool	Flush mount

WIRING DIAGRAM



INSTALLATION



SAS 908FCT

LARGE DISPLAY DIGITAL FAN COIL THERMOSTAT

- Large display with backlight, Menu setting easy operation
- 2-pipe or 4-pipe heating/cooling available
- Remote controller available
- Room card function / Window card function available/ External sensor available
- Auto fan with adjustable 3-fan speed.
- Keep user setting during power loss
- Anti-freezing protection



TECHNICAL DATA

Voltage: AC100- 240V 50/60Hz

Setting range: 5°C~35°C Accuracy: ±0.5°C

Protective housing: IP21

Dimensions: 115mm×90mm×28mm Flush mount or wall mount

Load: 3A / 8A

Ambient temperature: 0~50°C

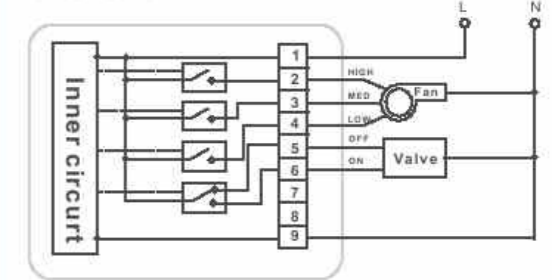
Housing material: PC

MODEL SELECTION

Model No	Features and Functions Available				FAN Relay Max.	Application	Installation
	Compressor timer	External Sensor	Remote controller	Room Card			
SAS908FCT-2B			■		3A	2-pipe Heat/Cool	Wall mount
SAS908FCT-4B			■		3A	4-pipe Heat/Cool	Wall mount
SAS908FCT-4B-RC-S		■	■	■	5A	4-pipe Heat/Cool	Wall mount
SAS908HLP-0	■		■		5A	DX Heat/Cool	Wall mount

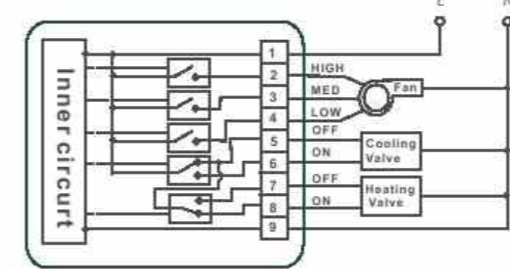
WIRING DIAGRAM

SAS908FCT-2



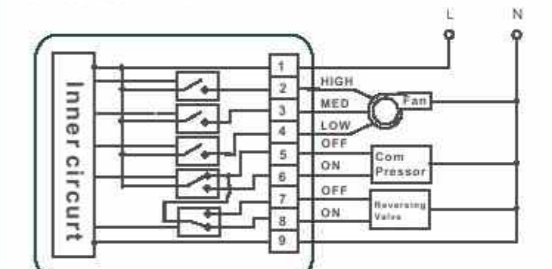
2 PIPE

SAS908FCT-4B



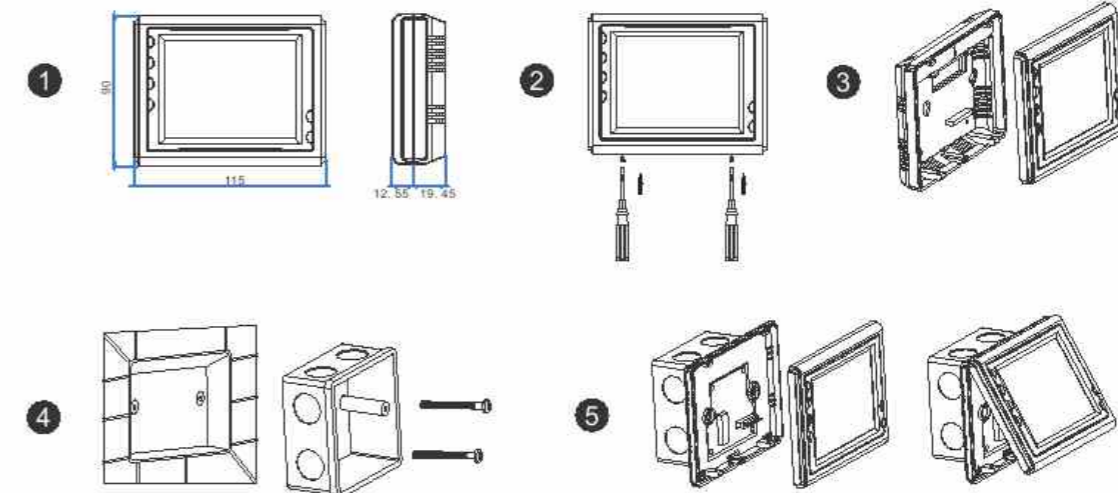
4 PIPE

SAS908HLP-0



DX UNIT

INSTALLATION



SAS 920FCT

MENU SETTING

FAN COIL THERMOSTAT

- 2-pipe or 4-pipe heating/cooling available
- Heating mode / Cooling mode / Auto mode
- Remote controller available
- Room card function / Window card function / External sensor available / Timer function
- Sleeping mode save energy
- Auto fan with adjustable 3-fan speed.
- Keep user setting during power loss
- Anti-freezing protection



TECHNICAL DATA

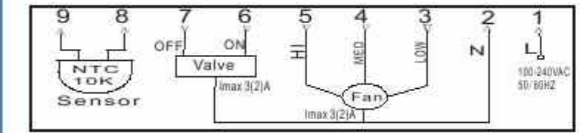
- Voltage:** AC100-240V 50/60Hz
- Power load:** 3A / 5A / 8A
- Setting range:** 5°C~35°C
- Accuracy:** ±1°C
- Ambient temperature:** -5~50°C
- Protective housing:** IP21
- Housing material:** PC
- Dimensions:** 86mm×86mm×15mm
Flush mount or wall mount

MODEL SELECTION

Model No	Features and Functions Available				FAN Relay Max.	Application	Installation
	Compressor timer	External Sensor	Remote controller	Room Card			
SAS920FCT-2			■	■	3A	2-pipe Heat/Cool	Flush mount
SAS920FCT-4			■	■	3A	4-pipe Heat/Cool	Flush mount
SAS920HLP-0	■		■	■	5A	DX Heat/Cool	Flush mount
SAS920SLP-CO-S	■	■	■		8A	DX Cooling Only	Flush moun

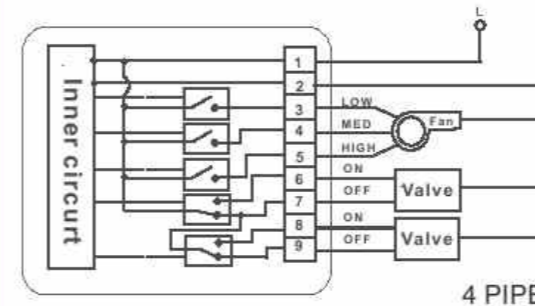
WIRING DIAGRAM

SAS908FCT-2



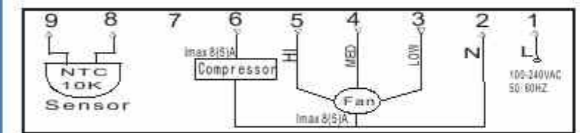
2 PIPE

SAS920FCT-4



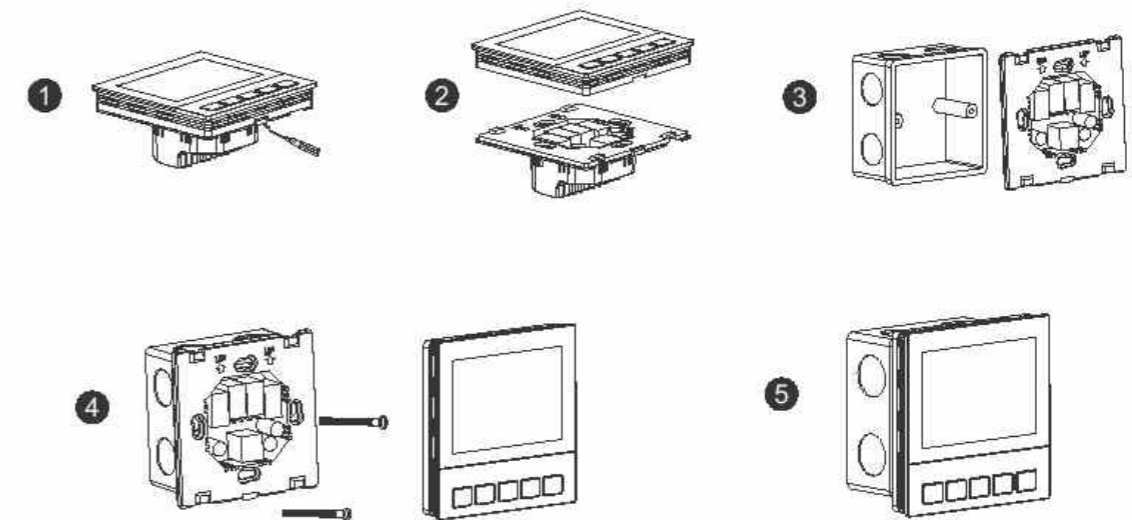
4 PIPE

SAS920SLP-CO-S



DX UNIT

INSTALLATION



SAS 921FCT

MENU SETTING

FAN COIL THERMOSTAT

- 2-pipe or 4-pipe heating/cooling available
- Heating mode / Cooling mode / Auto mode
- Remote controller available
- Room card function / Window card function / External sensor available / Timer function
- Sleeping mode save energy
- Auto fan with adjustable 3-fan speed.
- Keep user setting during power loss
- Anti-freezing protection



TECHNICAL DATA

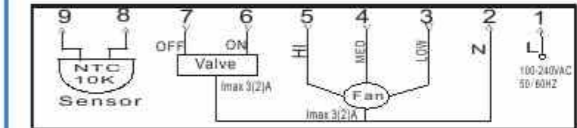
- Voltage:** AC100-240V 50/60Hz
 - Power load:** 3A / 5A / 8A
 - Setting range:** 5°C~35°C
 - Accuracy:** ±1°C
 - Ambient temperature:** -5~50°C
 - Protective housing:** IP21
 - Housing material:** PC
 - Dimensions:** 86mm×86mm×15mm
- Flush mount or wall mount

MODEL SELECTION

Model No	Features and Functions Available				FAN Relay Max.	Application	Installation
	Compressor timer	External Sensor	Remote controller	Room Card			
SAS921FCT-2			■	■	3A	2-pipe Heat/Cool	Flush mount
SAS921FCT-4			■	■	3A	4-pipe Heat/Cool	Flush mount
SAS921HLP-0	■		■	■	5A	DX Heat/Cool	Flush mount
SAS921SLP-CO-S	■	■	■		8A	DX Cooling Only	Flush mount

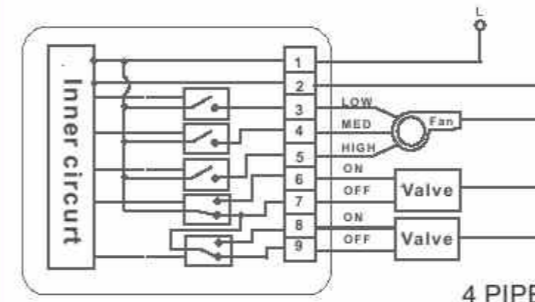
WIRING DIAGRAM

SAS921FCT-2



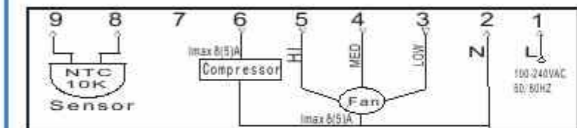
2 PIPE

SAS921FCT-4B



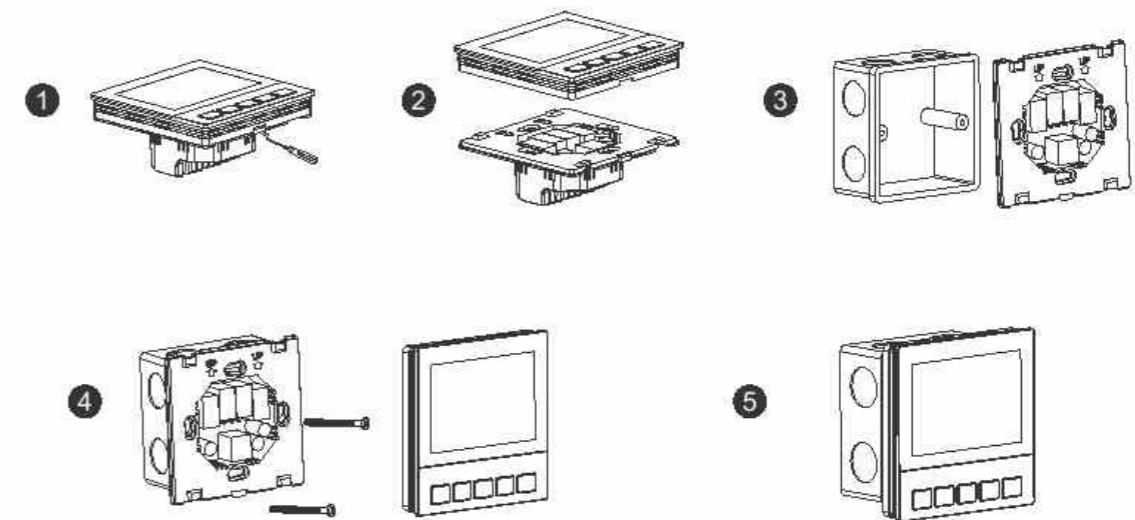
4 PIPE

SAS921SLP-CO-S



DX UNIT

INSTALLATION



SAS T13FCT

MENU SETTING

FAN COIL THERMOSTAT

- TFT color display screen with backlight
- 360°Freewheeling, easily operate
- Auto fan with adjustable 3-fan speed
- Permanent user setting retention during power loss, no batteries are required
- Energy monitoring function
- Frost protection function
- RS485 communication function available



TECHNICAL DATA

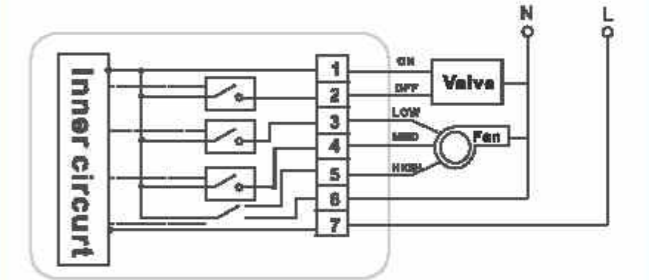
Voltage: 100 ~ 240VAC 50/60HZ
Load: 3A
Accuracy: ±1°C
Setting Temperature Range: 5~50°C
Ambient temperature: 0~45°C
Protective class: IP21
Housing material: PC
Dimensions: 86mm×86mm×15mm
 flush mount

MODEL SELECTION

Model No	Features and Functions Available				FAN Relay Max.	Application	Installation
	Compressor timer	External Sensor	Remote controller	Room Card			
T13FCT-2	■	■			3A	2-pipe Heat/Cool	Flush mount
T13FCT-2-485	■	■	■		3A	2-pipe Heat/Cool	Flush mount

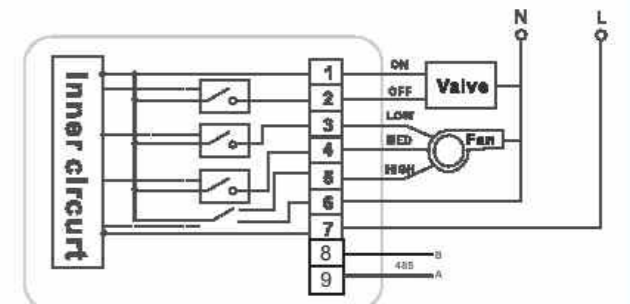
WIRING DIAGRAM

T13FCT-2



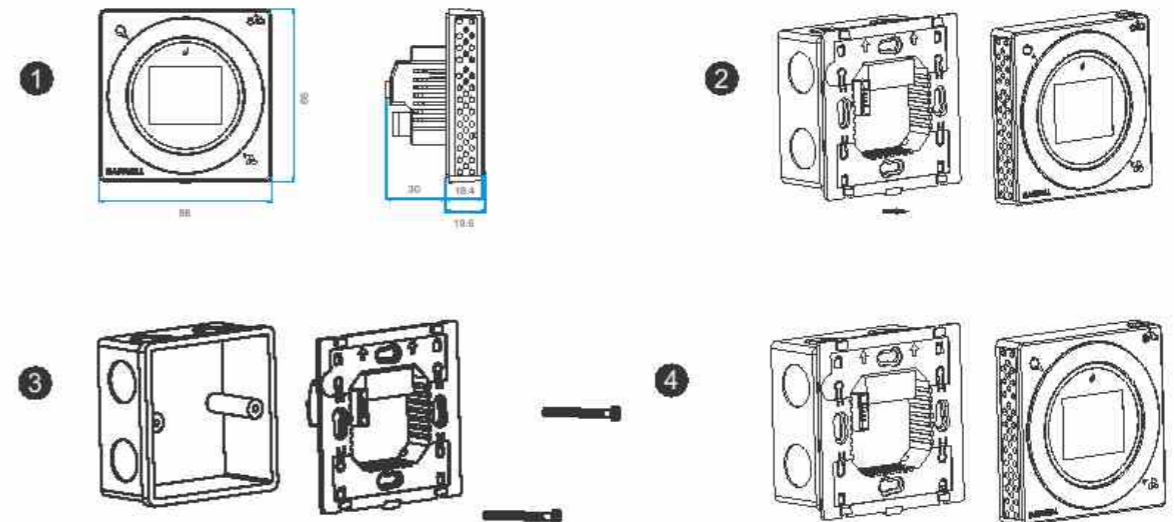
2 PIPE

T13FCT-2-485



MODBUS RS485

INSTALLATION



SAS T15FCT

MENU SETTING

FAN COIL THERMOSTAT

- 2-pipe or 4-pipe heating/cooling available
- Remote controller available
- Display shows both set points and room temperature simultaneously
- Separately setup the heating or cool temperature
- Auto fan with adjustable 3-fan speed
- Permanent user setting retention during power loss, no batteries are required
- RS485 communication function available



TECHNICAL DATA

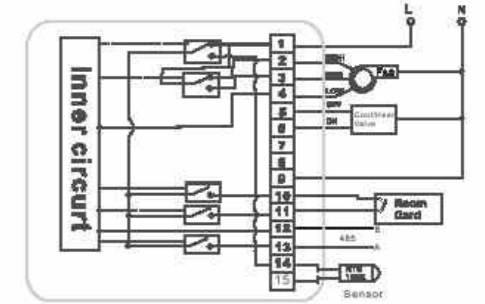
- Voltage:** 100 ~ 240VAC 50/60HZ
- Fan Relay Amps inductive:** 2A/3A/10A
- Accuracy:** ±0.5°C (1 °F)
- Setting Temperature Range:** 5~50°C
- Ambient temperature:** 0~45°C
- Protective class:** IP21
- Housing material:** PC
- Dimensions:** 120.9mm×82.9mm×28mm wall mount

MODEL SELECTION

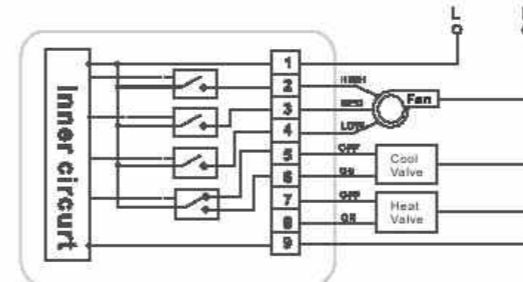
Model No	Features and Functions Available				FAN Relay Max.	Application	Installation
	Compressor timer	External Sensor	Remote controller	Room Card			
T15FCT-2-RSY-485		■	■	■	3A	2-pipe Heat/Cool	Wall mount
T15FCT-4					3A	4-pipe Heat/Cool	Wall mount
T15FCT-7					3A	4-pipe Heat/Cool 7 day programmable	Wall mount
T15SLP-CO-SY-485	■	■	■		10A	DX CONTROL COOLING ONLY	Wall mount
T15HLP-0-IR	■		■		10A	DX CONTROL Heat/Cool REMOTE CONTROL optional	Wall mount

WIRING DIAGRAM

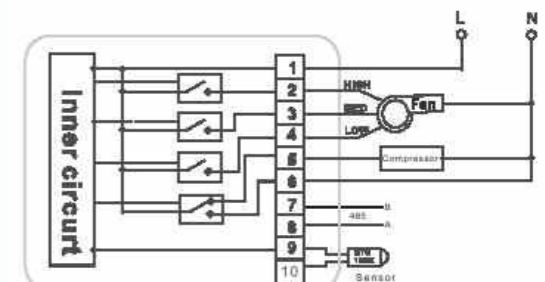
T15FCT



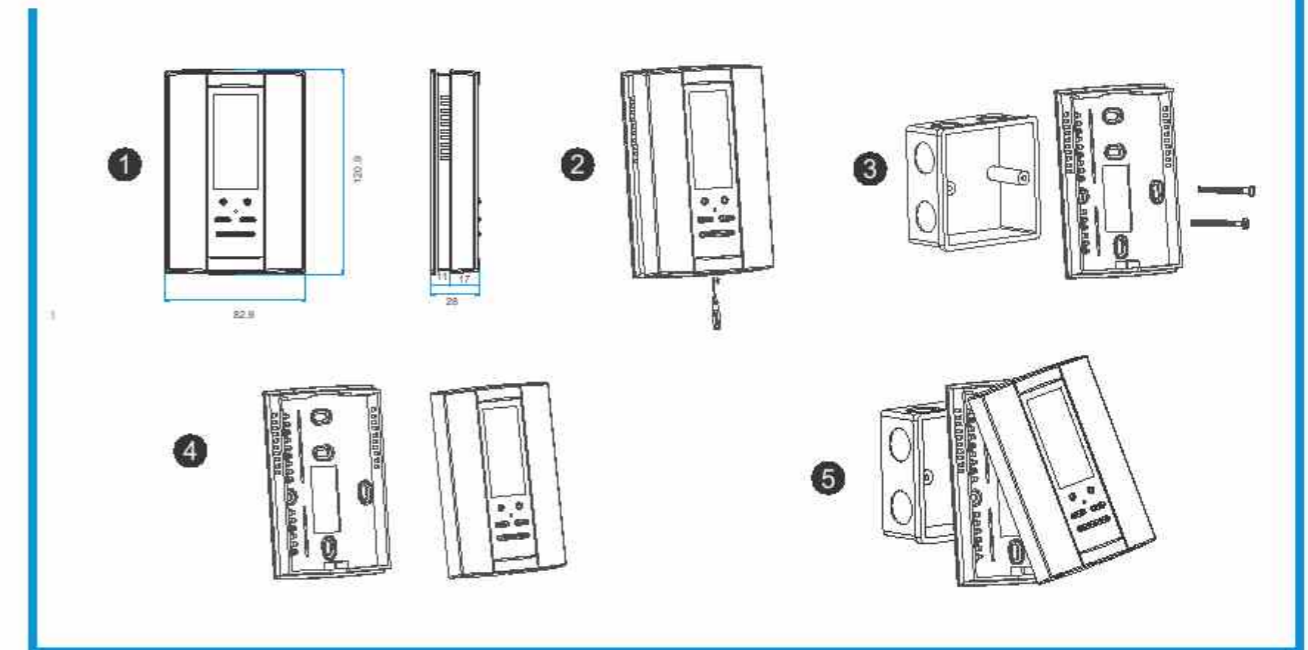
T15FCT



T15FCT



INSTALLATION



SAS 916FCT

WIRELESS FAN COIL

CONTROLLER INSTRUCTIONS

Wireless Fan Coil Controller which cooperated with SAS2010FCT-RC-DE Wireless receiver has been widely applied in business, industry, civil buildings and villas for heating, cooling or controlling Fan and water valve. In order to achieve a purpose of indoor thermostatic, the built-in temperature module detects the room temperature via comparing with user's setting temperature, and then control the electric valves to open or close.

- Option for three fan speed or automatic fan control
- Large LCD display
- battery powered by 2x AA alkaline cells, with battery low warning
- Option for sleeping mode (energy saving)
- Keypad lock function
- Optional table stand supplied for thermostat

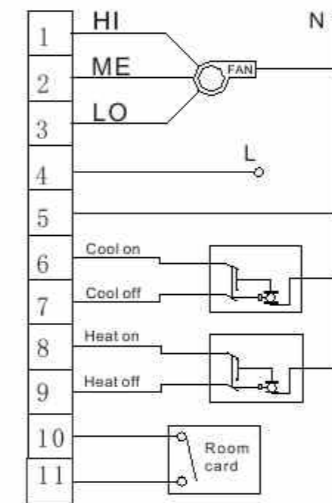


TECHNICAL SPECIFICATIONS

SAS916FCT-0-DF		SAS2010FCT-RC-DE	
OPERATION VOLTAGE	2 x AA 1.5V alkaline cell	POWER SUPPLY	AC100V~240V 50Hz/60Hz
SETTING TEMPERATURE RANGE	5°C-35°C	VALVE CURRENT LOADING	≤0.5A
ACCURACY	±1°C	FAN CURRENT LOADING	≤3(2)A
INDICATION RANGE	0~50°C	OPERATING AMBIENT TEMPERATURE	0°C~50°C
OPERATING AMBIENT TEMPERATURE	0°C~50°C		

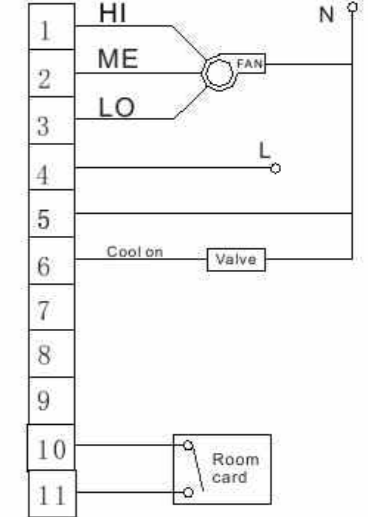
WIRING DIAGRAM

4 pipes



Heat /cool, 4 pipes,
3-wire valve control,
fan coil unit system

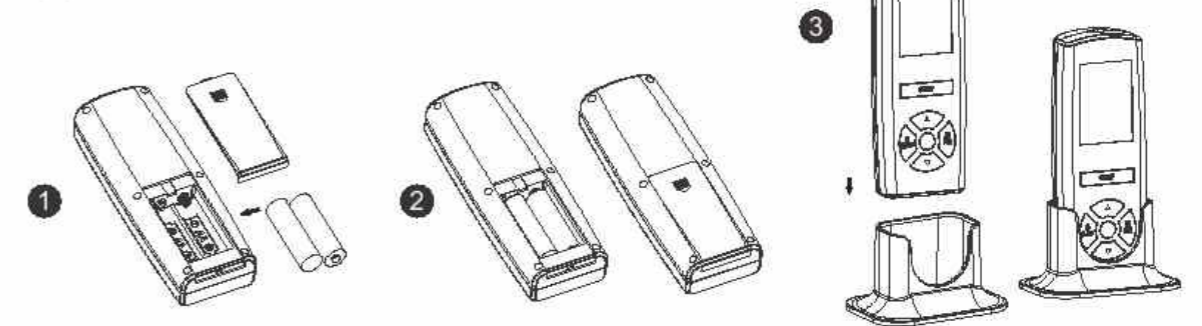
2 pipes



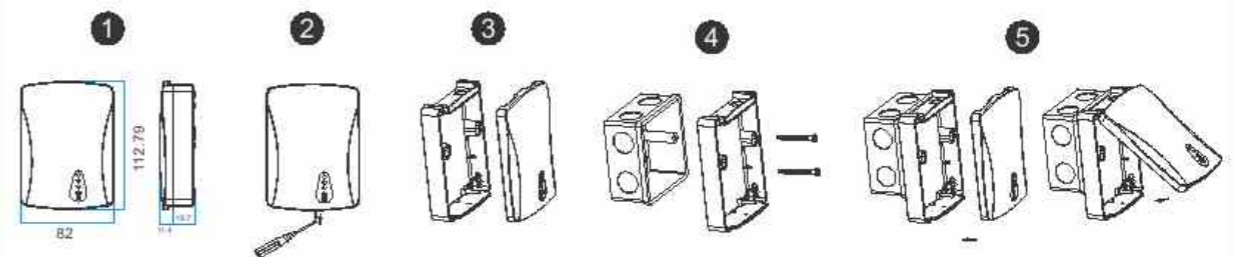
Cool only, 2 pipes,
2-wire valve control,
fan coil unit system

INSTALLATION

T15FCT



SAS2010FCT



PIT SERIES

SAS803PIT, SAS908PIT Series Thermostats provide proportional-integral (PI) modulating control in 2-pipe or 4-pipe fan coil units, zoned commercial HVAC system such as hydraulic and pressure dependent VAV with or without reheat, Ventilating and various heating and cooling applications.

ADVANTAGE

More accurate, Small noise, Save Energy.

Apply to Commercial buildings, Residential buildings, Industrial buildings, Hospital, Hotel and so on.

- Large Display shows both set points and room temperature simultaneously
- 0-10VDC or 4-20mA heat and cool outputs.
- Energy saving card key input
- Auto-detection of temperature sensor
- Auto fan with adjustable 3-fan speed
- Keep user setting during power off

SAS 803PIT

MODULATING DIGITAL ROOM THERMOSTAT

TECHNICAL DATA

Input Voltage:

24VAC, 50/60 Hz (Digital Thermostat)
24VAC-250VAC; 50/60Hz (Fan)

Output Voltage:

Modulating output 4 to 20mA or 0-10VDC
On/Off output for fan 5A 250VAC

Setting range: 5°C~35°C

Accuracy: ±1°C

Ambient temperature:

0~45°C, 5-95% RH

Protective housing: IP21

Housing material: PC

Dimensions: 86mm×86mm×23mm
Flush mount

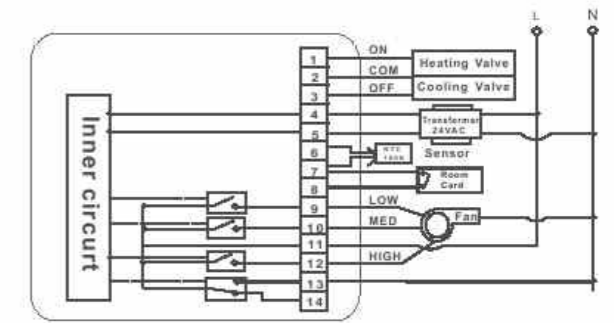


MODEL SELECTION

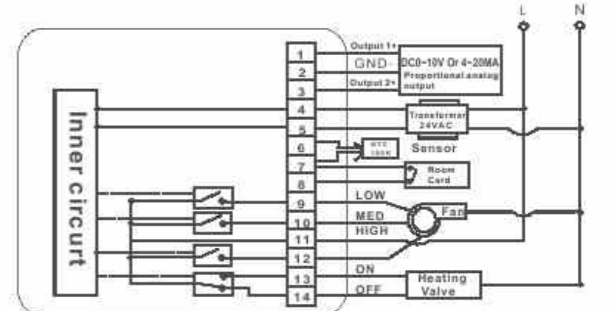
Model No	Features and Functions Available					Installation
	Save Energy	External Sensor	Aux. Heating	0-10V/4-20mA Output	4- Pipe	
SAS803PIT-V1-S1-F3	■	■	1 stage	■		Semi Wall mount
SAS803PIT-V2-F3(AU)	■	■	2 stage	■	■	Semi Wall mount

WIRING DIAGRAM

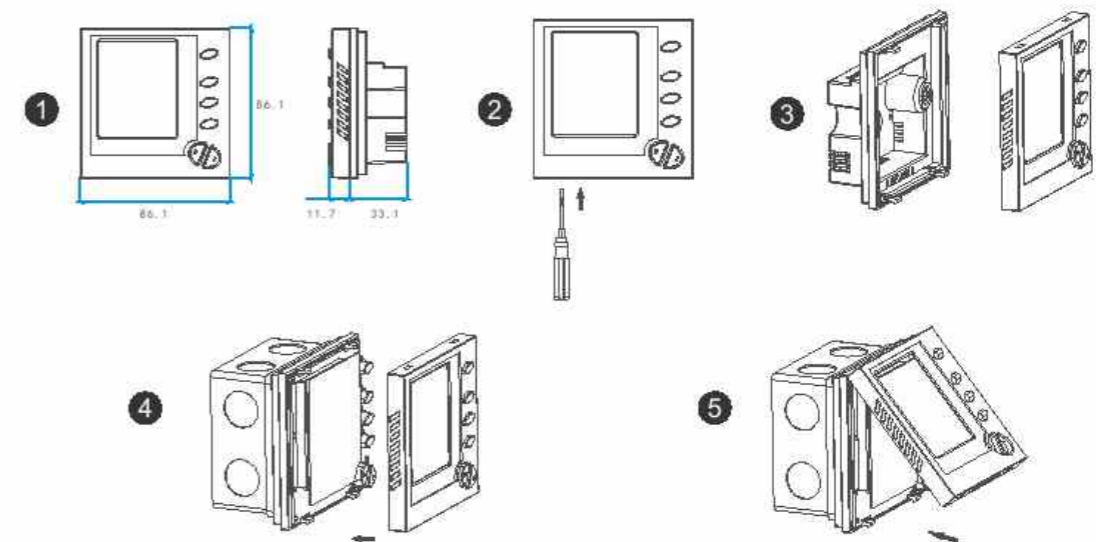
SAS803PIT-V1-S1-F3



SAS803PIT-V2-S1-F3



INSTALLATION



SAS 908PIT

MODULATING DIGITAL ROOM THERMOSTAT



SASWELL

EVZMERR

TECHNICAL DATA

Input Voltage:

24VAC, 50/60 Hz (Digital Thermostat)
24VAC-250VAC; 50/60Hz (Fan)

Output Voltage:

Modulating output 4 to 20mA or 0-10VDC
On/Off output for fan 5A, 250VAC

Setting range: 5°C~35°C

Accuracy: ±1°C

Ambient temperature: 0~45°C , 5-95% RH

Protective housing: IP21

Housing material: PC

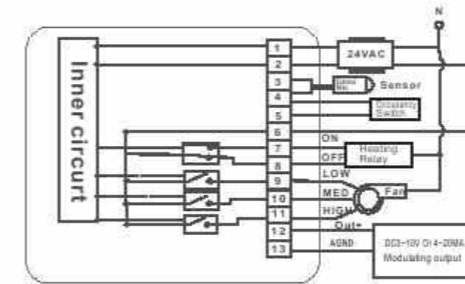
Dimensions: 115mm×90mm×28mm wall mount

MODEL SELECTION

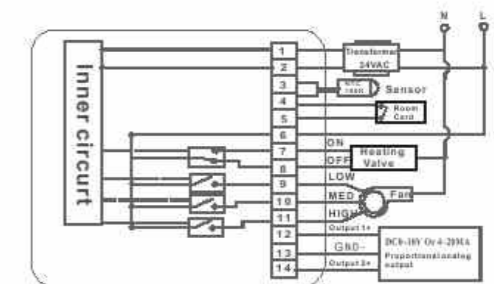
Model No	Features and Functions Available					Installation
	Save Energy	External Sensor	Aux. Heating	0-10V 4-20mA Output	4-Pipe	
SAS908PIT-V1-S1-F3	■	■	1 stage	■		Wall mount
SAS908PIT-V2-S1-F3	■	■	2 stage	■	■	Wall mount

WIRING DIAGRAM

SAS908PIT-V1-S1-F3



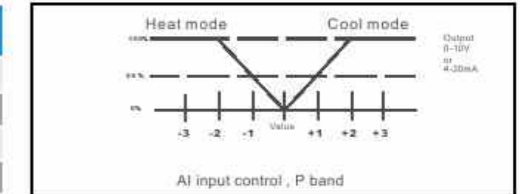
SAS908PIT-V2-S1-F3



PI control signal prominent characteristic

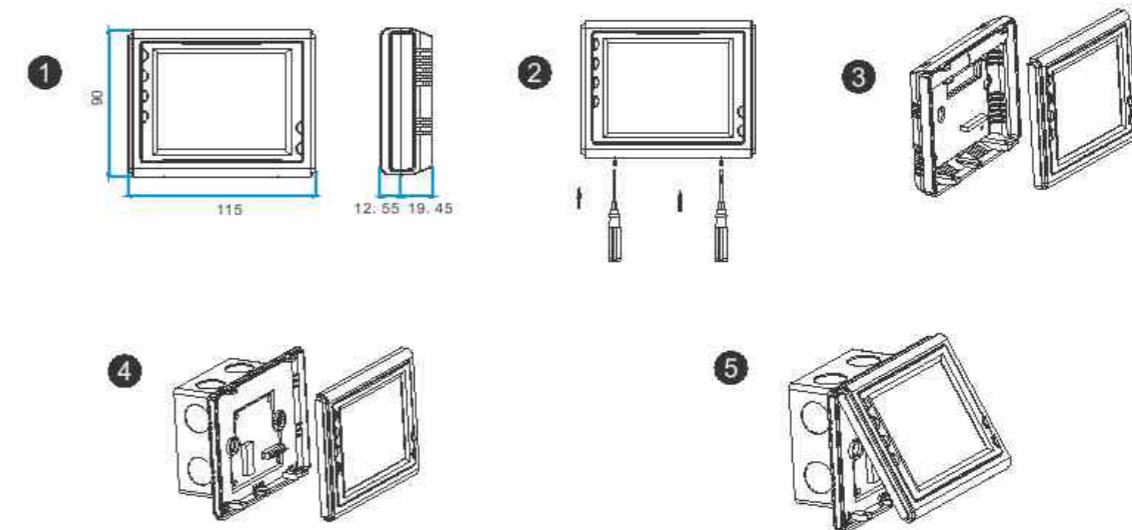
The proportional band is the amount of change required by the ambient temperature for the output to go from 0 to 100%.

PARAMETER	SETTING RANGE	FACTORY DEFAULT
The proportional band	1-10°C	2°C
The integral action time	0-10 Minutes	5 Minutes
Output bottom limit	0-	0
Output upper limit	-100%	100%



The integral gain implies that the longer the error between the ambient and the set point temperatures exists, the more the output will change to eliminate the error. The integral portion of the algorithm eliminates the temperature offset from the set point.

INSTALLATION



SAS T15PIT

MODULATING DIGITAL ROOM THERMOSTAT

TECHNICAL DATA

Input Voltage:

24 (18-30) VAC 50/60HZ

Output Voltage:

Modulating output 0 to 20mA or 0- 10VDC

Setting Temperature Range: 5°C ~ 45°C

Ambient temperature: 0°C ~ 45°C

Protective class: IP21

Housing material: PC

Dimensions: 120.9mm×82.9mm×28mm

wall mount

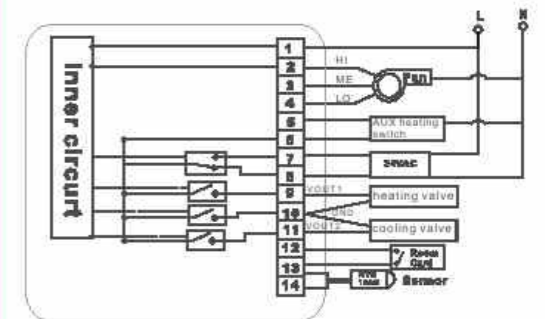


MODEL SELECTION

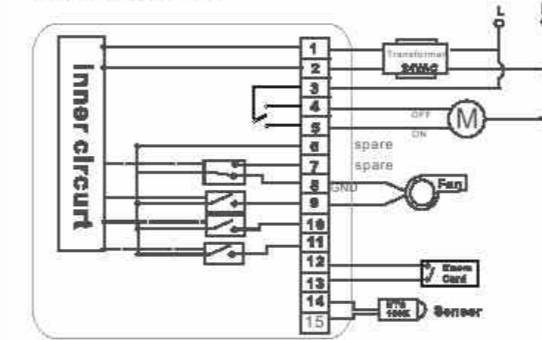
Model No	Features and Functions Available					Installation
	Save Energy	External Sensor	Aux. Heating	Remote Controller	Room Card	
T15PIT-FV-RS-IR	■	■		■	■	Wall mount
T15PIT-V2-S1-F3	■	■	■		■	Wall mount
T15PIT-FV-RS-485	■	■			■	Wall mount

WIRING DIAGRAM

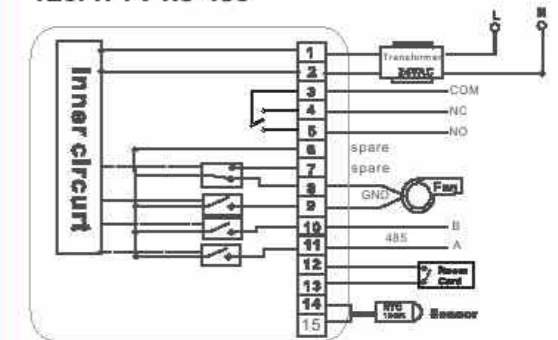
T15PIT-V2-S1-F3



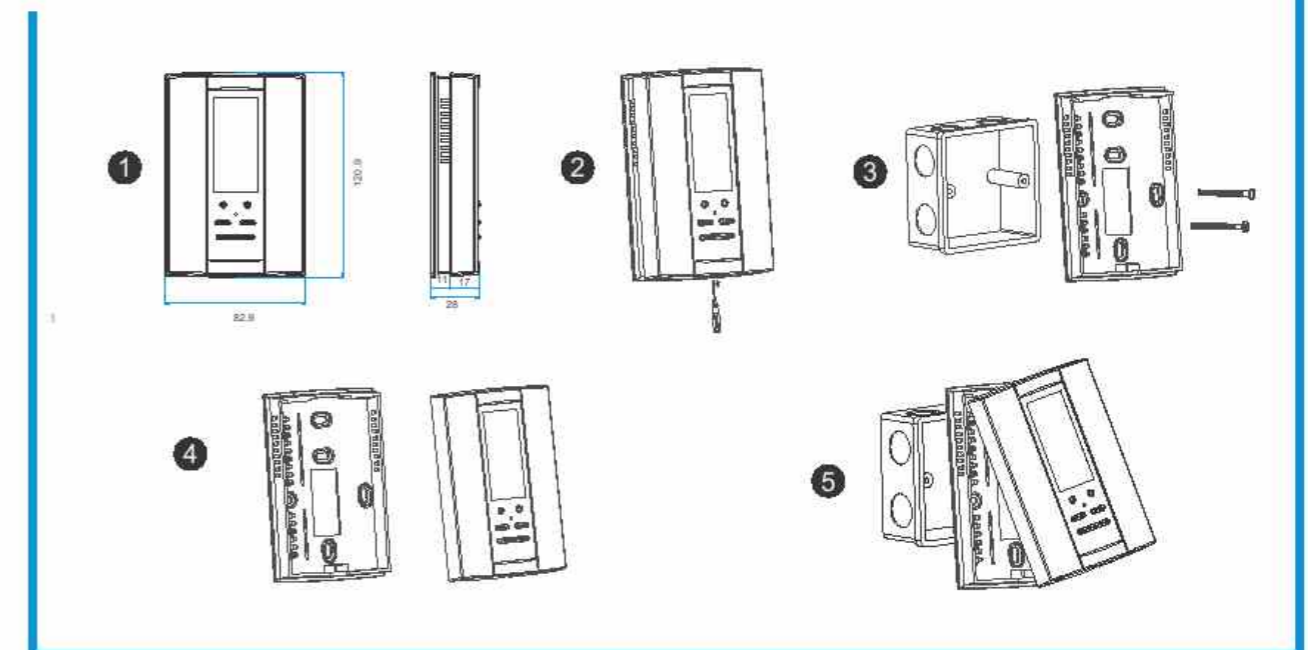
T15PIT-FV-RS-IR



T15PIT-FV-RS-485



INSTALLATION





SASWELL
IAQ
CONTROLLER

SAS 910VOC IAQ CONTROLLER

- Real time monitor indoor air quality
- Monitoring room CO₂ and VOC, room temperature and humidity ;
- Built in the famous Japanese semiconductor mixed gas sensor;
- Provide 1 relay outputs for auto control ventilation system ;
- Three-color (green/yellow/red) backlit indicating optimal/moderate/poor ventilation
- LCM dot matrix screen
- Buzzer alarm and backlight colours switch
- Wall mounting type with easy installation.

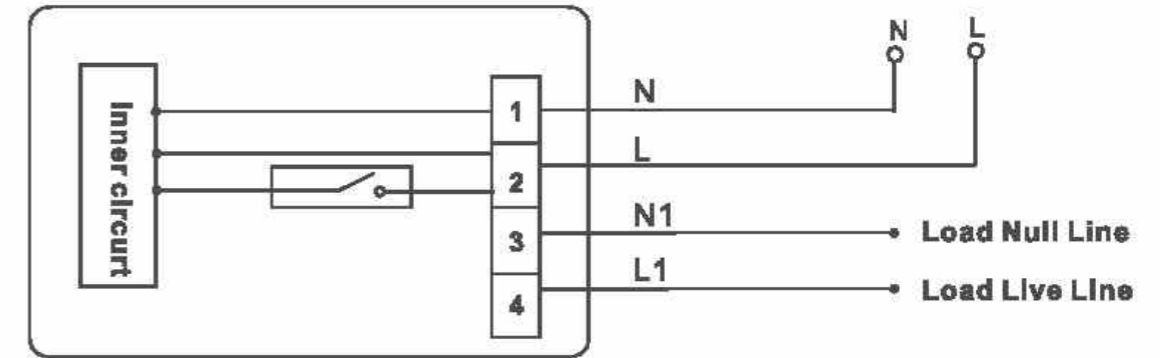


TECHNICAL DATA

THE DETECTION OF GAS	Cigarette smoke, wood coatings and decorative materials of low concentration toluene, formaldehyde, ammonia, hydrogen sulfide smell gas, ethanol, natural gas, sulfur dioxide,
POWER SOURCE	220VAC ± 10% 50/60Hz
WARM UP TIME	96Hours (First time), 10 Minutes (Normal)
SENSING ELEMENT	HS series Capacitance sensor
DISPLAY RESOLUTION	0.1ppm
LCD BACKGLIT	Green- --optimal ; Yellow--moderate ; Red--Poor
TEMPERATURE MEASURING RANGE	-20°C -80°C (-4~176°F)
OUTPUTS	Relay output, auto control ventilation systems. Max. resistive Load: 3A (220VAC),

WIRING DIAGRAM

AQ-910.V



MODEL SELECTION

Model	Description	Power Supply
AQC910.0V Vertical type	VOC control & Humidity/Temperature monitor with alarm Three-color (green/yellow/red) backlit, LCM Dot matrix screen, Buzzer alarm	External power supply transformer input DC12V 1A
AQC910.1V Wall mounted type	VOC control & Humidity/Temperature monitor with alarm Three-color (green/yellow/red) backlit, LCM Dot matrix screen, Buzzer alarm	180-240VAC 50/60HZ Power input compatible with DC12V1A
AQC910.2V Wall mounted type	VOC control & Humidity/Temperature monitor with alarm Three-color (green/yellow/red) backlit, LCM Dot matrix screen, Buzzer alarm	18-30VAC 50/60HZ Power input compatible with DC12V1A
AQC910.1V-D0 Wall mounted type	VOC control & Humidity/Temperature monitor and control with alarm Three-color (green/yellow/red) backlit, LCM Dot matrix screen, Buzzer alarm, 1 loop On/Off output	100-240VAC 50/60HZ Power input compatible with DC12V1A
AQC910.2V-D0 Wall mounted type	VOC control & Humidity/Temperature monitor and control with alarm Three-color (green/yellow/red) backlit, LCM Dot matrix screen, Buzzer alarm, 1 loop On/Off output	18-30VAC 50/60HZ Power input compatible with DC12V1A
AQC910.0V-DF Vertical type	VOC control & Humidity/Temperature monitor and control with alarm Three-color (green/yellow/red) backlit, LCM Dot matrix screen, Buzzer alarm, 1 loop FSK RF868MHZ on/off output	External power supply transformer input DC12V 1A
AQC910.1V-DF Vertical type	VOC control & Humidity/Temperature monitor and control with alarm Three-color (green/yellow/red) backlit, LCM Dot matrix screen, Buzzer alarm, 1 loop FSK RF868MHZ on/off output	100-240VAC 50/60HZ Power input compatible with DC12V1A
AQC910.2V-DF Vertical type	VOC control & Humidity/Temperature monitor and control with alarm Three-color (green/yellow/red) backlit, LCM Dot matrix screen, Buzzer alarm, 1 loop FSK RF868MHZ on/off output	18-30VAC 50/60HZ Power input compatible with DC12V1A
AQC910.0V-DF1 Vertical type	VOC control & Humidity/Temperature monitor and control with alarm Three-color (green/yellow/red) backlit, LCM Dot matrix screen, Buzzer alarm, 1 loop ASK RF433MHZ on/off output	External power supply transformer input DC12V 1A
AQC910.1V-DF1 Vertical type	VOC control & Humidity/Temperature monitor and control with alarm Three-color (green/yellow/red) backlit, LCM Dot matrix screen, Buzzer alarm, 1 loop ASK RF433MHZ on/off output	100-240VAC 50/60HZ Power input compatible with DC12V1A
AQC910.2V-DF1 Vertical type	VOC control & Humidity/Temperature monitor and control with alarm Three-color (green/yellow/red) backlit, LCM Dot matrix screen, Buzzer alarm, 1 loop ASK RF433MHZ on/off output	18-30VAC 50/60HZ Power input compatible with DC12V1A

SAS 908XF

DIGITAL HUMIDITY CONTROLLER

- Large LCD display shows indoor humidity, temperature, clock simultaneously
- Reading and operating easily , Humidity control accurate : $\pm 3\%$
- Temperature detection
- Keep memory when power off
- Timer on/off
- Lock function avoids wrong operation



TECHNICAL DATA

Power source: 100-240VAC, 50/60Hz

Humidity setting range:
20%-80% (Display range: 0-90%)

Temperature display range: 5°C~35°C

High, Low fan speed output Max. load:

Humidification valve output: 0.5A,250VAC

Dehumidifying valve output: 0.5A,250VAC

Purify machine output: 8A, 250VAC

Fan coil Output: 0.5A, 250VAC

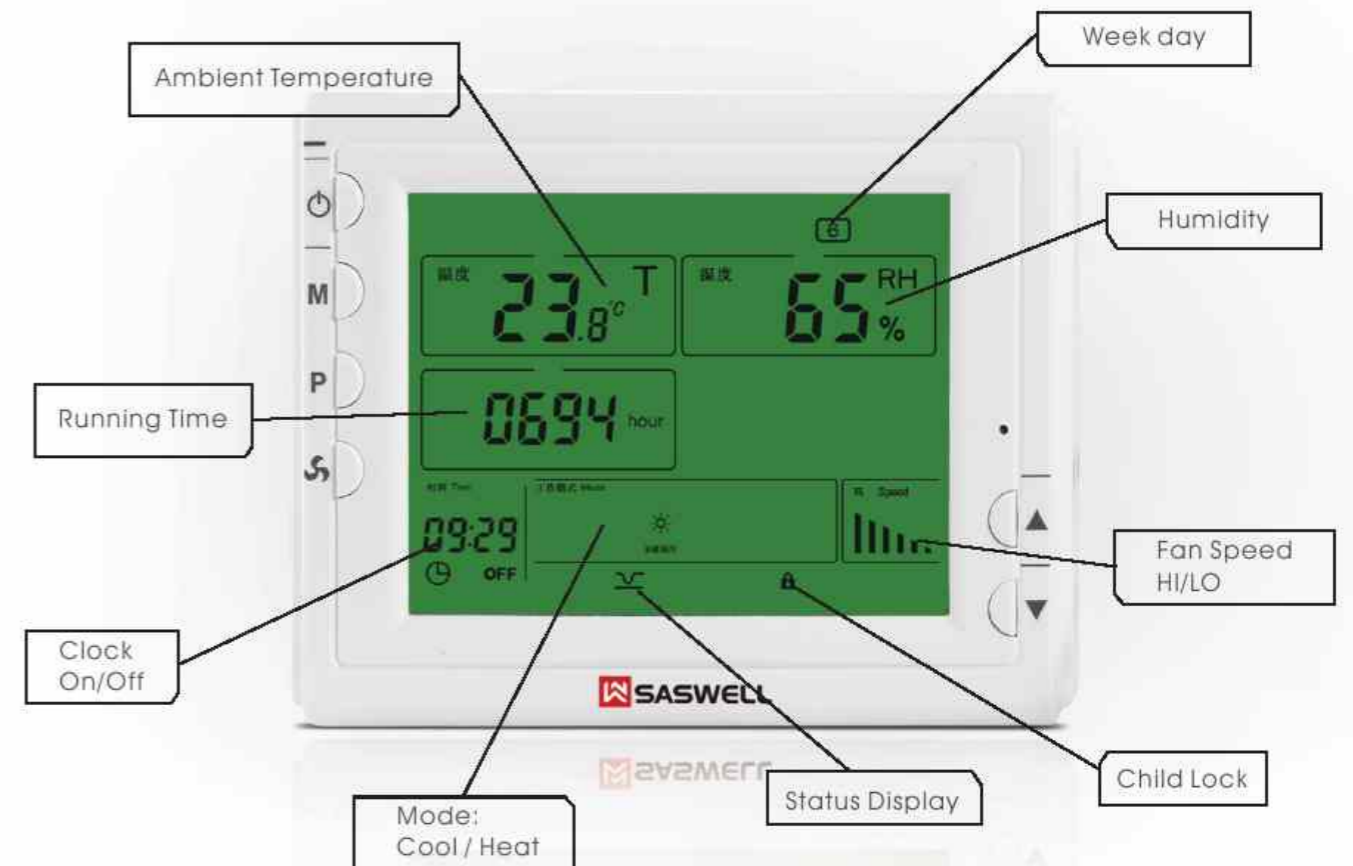
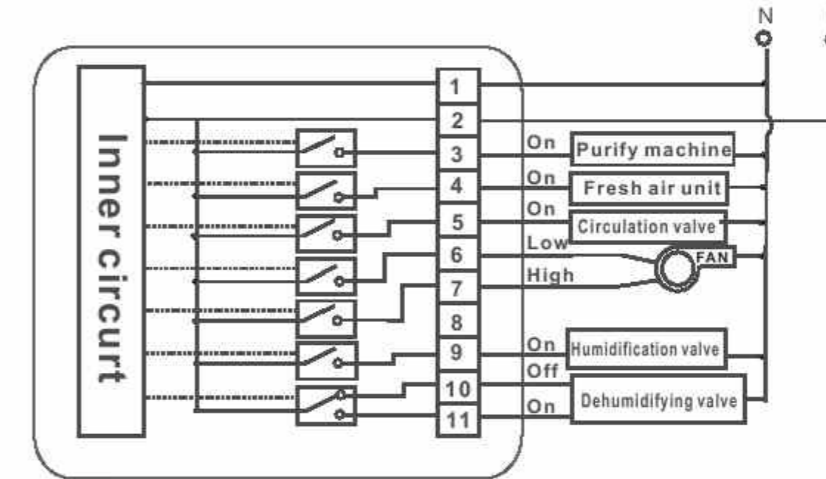
Ambient temperature : 0°C -50°C

The storage temperature : -10°C -60°C

Dimensions : 115mmX90mmX28mm

WIRING DIAGRAM

SAS908XF





SASWELL
24VAC
LOW VOLTAGE ROOM THERMOSTAT

SAS 900Series

LOW VOLTAGE THERMOSTAT, MANUAL CHANGOVER

- Menu programming
- 2-pipe or 4-pipe heating/cooling available
- Heating mode / Cooling mode / Auto mode
- Remote controller available
- External sensor available / Timer function
- Auto fan with adjustable 3-fan speed.
- Power off memory function
- Anti-freezing protection



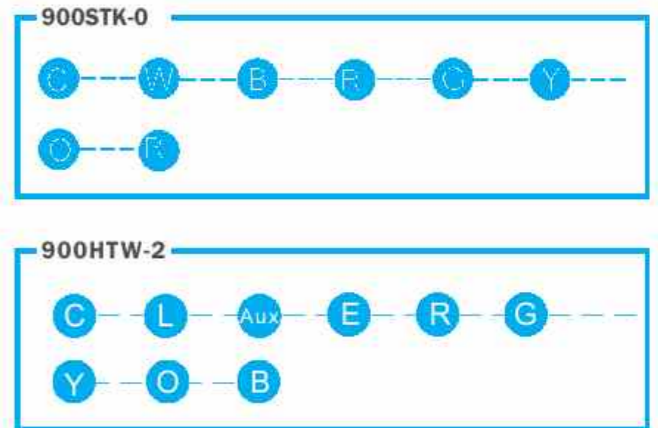
TECHNICAL DATA

- Voltage:** 24VAC 50-60HZ or Battery powered.
- Power load:** 3A
- Setting range:** 45°F to 90°F (7°C to 32°C).
- Accuracy:** ±0.5°C (1°F)
- Ambient temperature:** -5~50°C
- Protective housing:** IP21
- Housing material:** PC
- Dimensions:** 130mm x 94mm x30mm wall mount

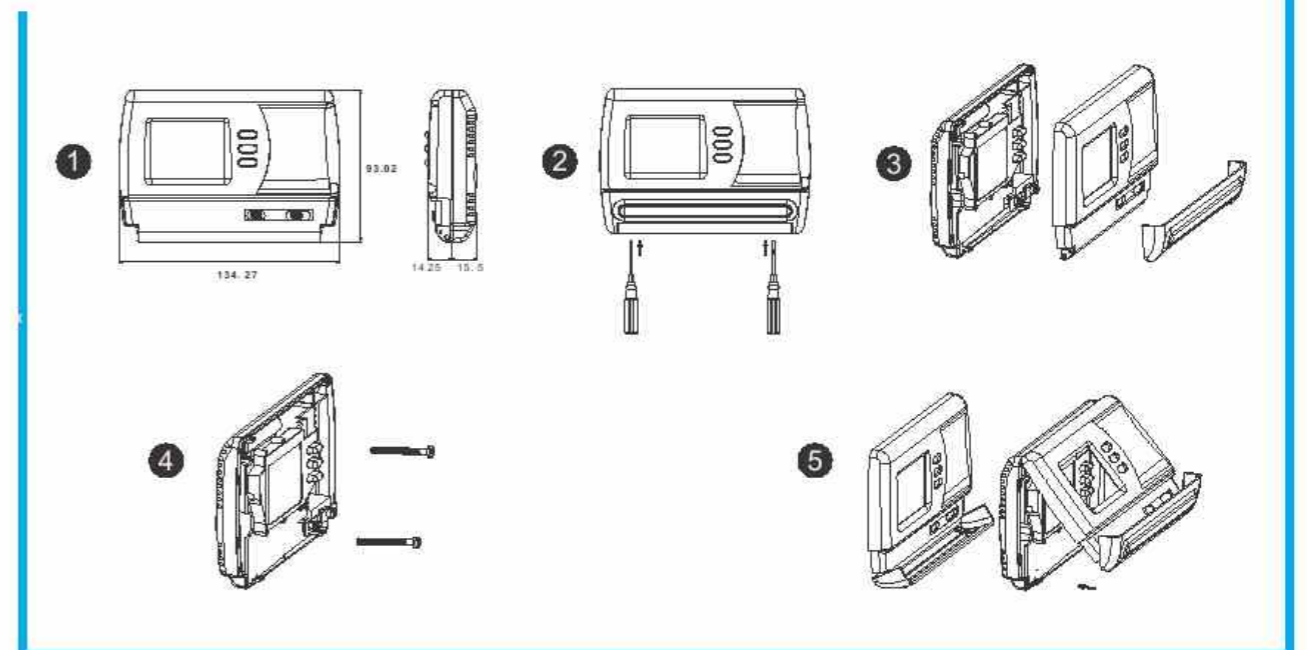
MODEL SELECTION

Model No	Heat / Cool	Fan (On,Auto)	Programs	AAA Battery powered	Multistage
SAS900STK-0	1H/1C	■	Non	■	
SAS900STK-2	1H/1C	■	5+2		
SAS900HTW-0	2H/1C	■	Non		■
SAS900HTW-2	2H/1C	■	5+2		■
SAS900MTW-0	2H/2C	■	Non		■
SAS900MTW-2	2H/2C	■	5+2		■
SAS900MTK-0	2H/2C	■	Non	■	■
SAS900MTK-2	2H/2C	■	5+2	■	■

WIRING DIAGRAM



INSTALLATION



SAS 1000 Series

LOW VOLTAGE THERMOSTAT, DIGITAL DISPLAY

- Menu Driven Programming: optional 7 day programming and non-programmable
- Large LCD display, continuous backlight option
- Keep user setting during power off
- Air Filter change Indicator.
- Low Battery Indicator. Temperature calibration.
- Optional temperature display of Celsius or Fahrenheit scale
- Minimum compressor off-time setting available
- UV light change indicator
- Wireless control with socket receiver



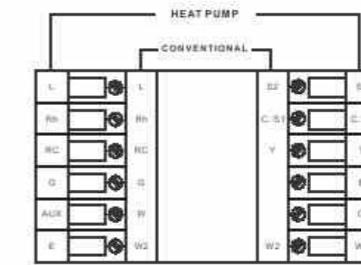
TECHNICAL DATA

- Voltage:** Dual Power 24VAC or 2 size "AAA" alkaline batteries powered
- Power load:** 3A
- Accuracy:** ±0.5°C
- Protective housing:** IP21
- Dimensions:** 115mm×90mm ×32mm wall mount
- Setting range:** 45°F to 90°F (7°C to 32°C).
- Ambient temperature:** 30°F H to 105°F H (0°C to 40°C)
- Housing material:** PC

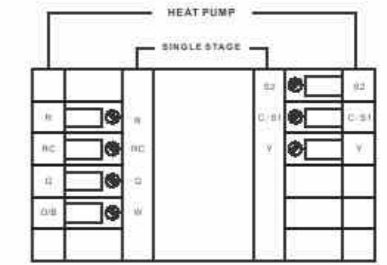
MODEL SELECTION

Model No	Heat / Cool	Fan (On,Auto)	Programs	AAA Battery powered	Multistage	Wireless
SAS1000STK-7	1H/1C	■	Non or 5+2	■		
SAS1000UTK-7	3H/2C	■	Non or 5+2	■	■	
SAS1000STK-7-RF	1H/1C	■	Non or 5+2	■		■
SAS1000UTK-7-RF	3H/2C	■	Non or 5+2	■	■	■

WIRING DIAGRAM

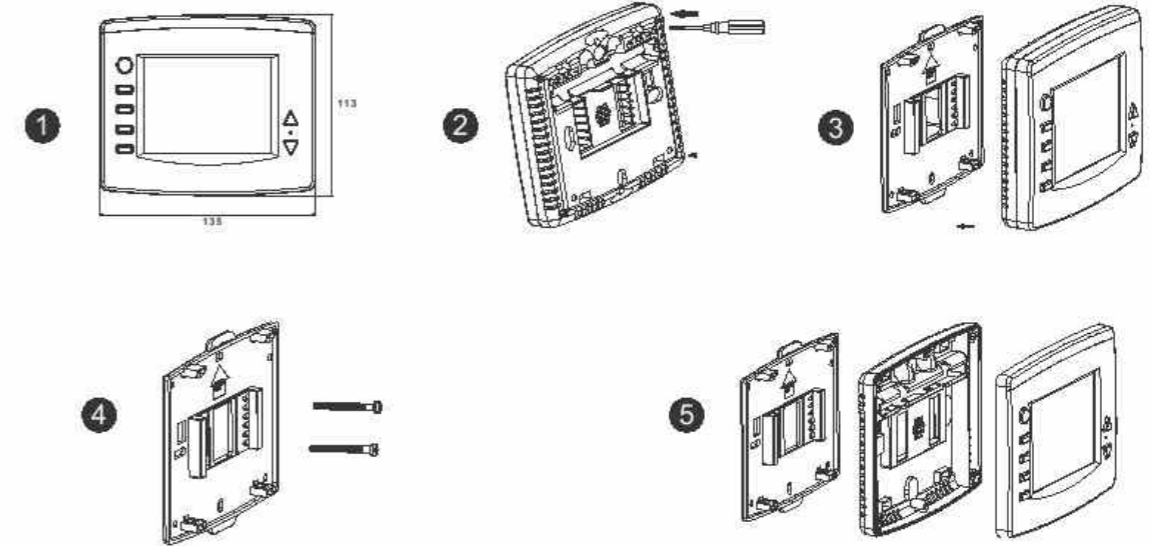


SAS1000UTK-7



SAS1000STK-7

INSTALLATION



SAS 6000 Series

LOW VOLTAGE THERMOSTAT, TOUCH SCREEN

- Large touch screen , continuous backlight option
- Menu Driven Programming: optional 7 day programming and non-programmable
- Keep user setting during power off
- Air Filter change Indicator.
- Low Battery Indicator. Temperature calibration.
- Optional temperature display of Celsius or Fahrenheit scale
- Minimum compressor off-time setting available
- UV light change indicator



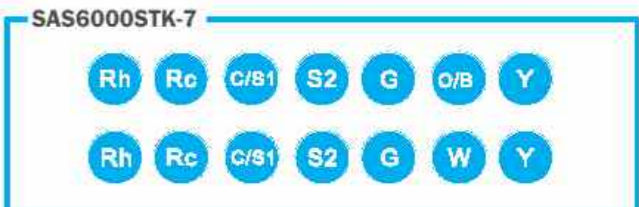
TECHNICAL DATA

- Voltage:** Dual Power 24VAC or 2 size "AAA" alkaline batteries powered
- Power load:** 3A
- Setting range:** 45°F to 90°F (7°C to 32°C).
- Accuracy:** ±0.5°C
- Ambient temperature:** 30°F H to 105°F H (0°C to 40°C)
- Protective housing:** IP21
- Housing material:** PC
- Dimensions:** 150mm×115mm ×32mm wall mount

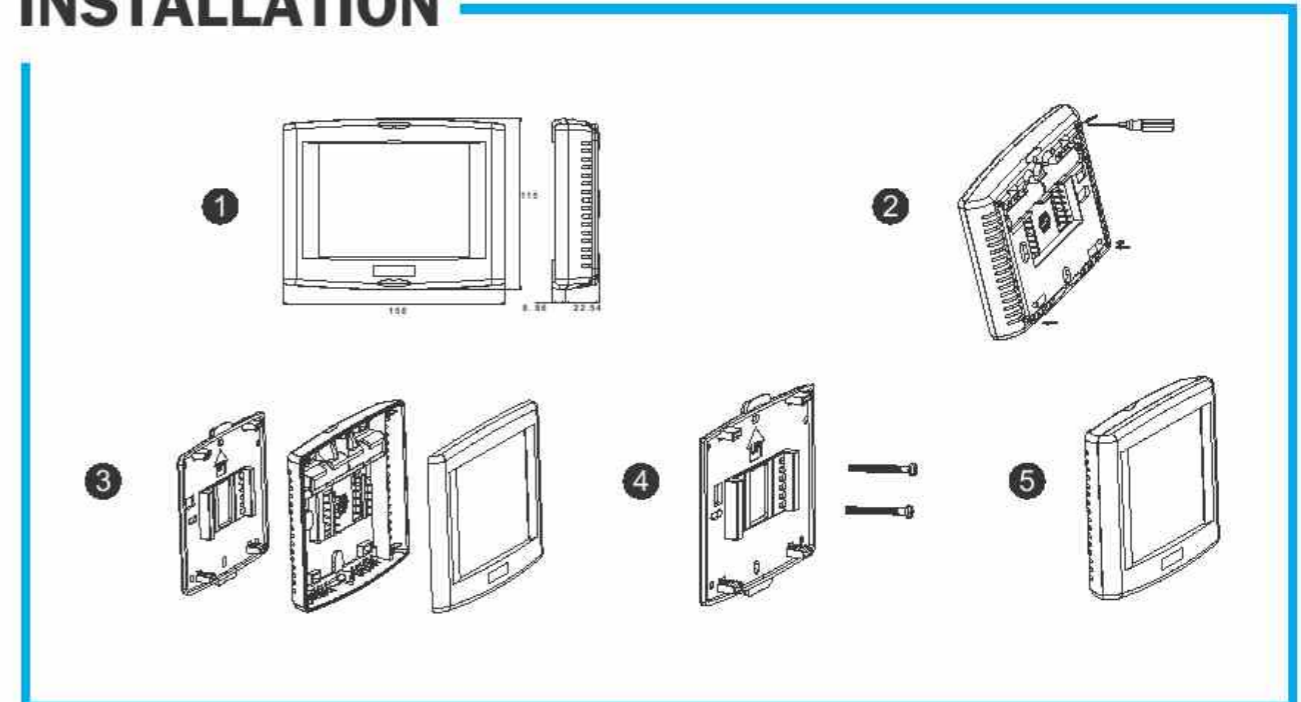
MODEL SELECTION

Model No	Heat / Cool	Fan (On,Auto)	Programs	AAA Battery powered	Multistage
SAS6000STK-7	1H/1C	■	5+2 / 7days	■	
SAS6000UTK-7	3H/2C	■	5+2 / 7days	■	■

WIRING DIAGRAM



INSTALLATION



SAS T21

LOW VOLTAGE THERMOSTAT,
TOUCH SCREEN

- Large LCD display with backlight, continuous backlight option
- Simultaneous heat and cool set point storage
- Display of room temperature, set temperature and current time simultaneously
- Fan switch with ON and AUTO
- Operates from 24VAC, or from 2 size "AA" alkaline batteries
- Optional temperature display of Fahrenheit or Celsius scale
- Air Filter change Indicator
- Low Battery Indicator
- Display temperature calibration
- Intelligent Recovery Option for optimizing comfort
- Program available



TECHNICAL DATA

Voltage: 20VAC-30VAC 50-60HZ or 2 size "AA" alkaline batteries powered

Terminal Load: 1.0A per terminal, 3.0A maximum total load

Setting range: 45°F to 90°F (7°C to 32°C)

Accuracy: ±1°F or ±0.5°C

Protective class: Ip21

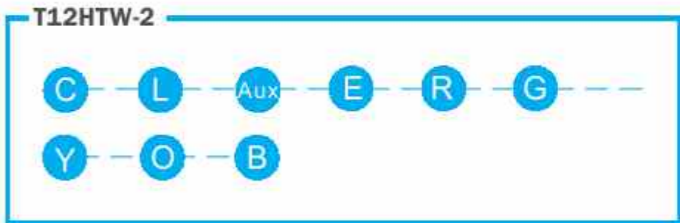
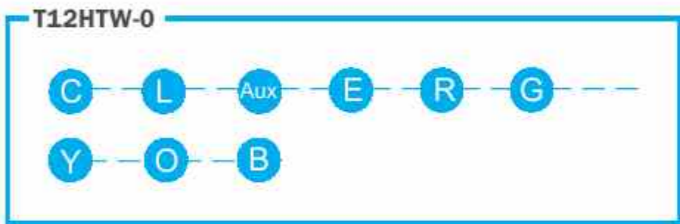
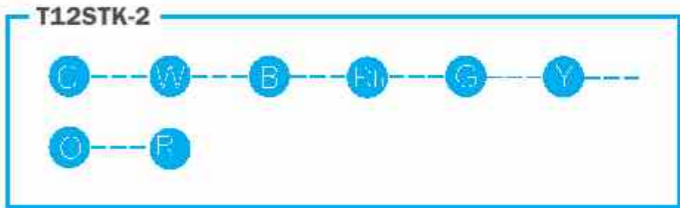
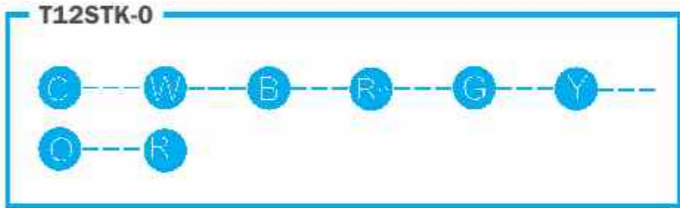
Housing material: PC

Dimensions: 152.4mm×119.4mm×28mm wall mount

MODEL SELECTION

Model No	Heat / Cool	Fan (On,Auto)	Programs	AAA Battery powered	Multistage
T21STK-0	1H/1C	■	Non	■	
T21STK-2	1H/1C	■	5+2	■	
T21HTW-0	2H/1C	■	Non	■	■
T21HTW-2	2H/1C	■	5+2	■	■

WIRING DIAGRAM



INSTALLATION

